

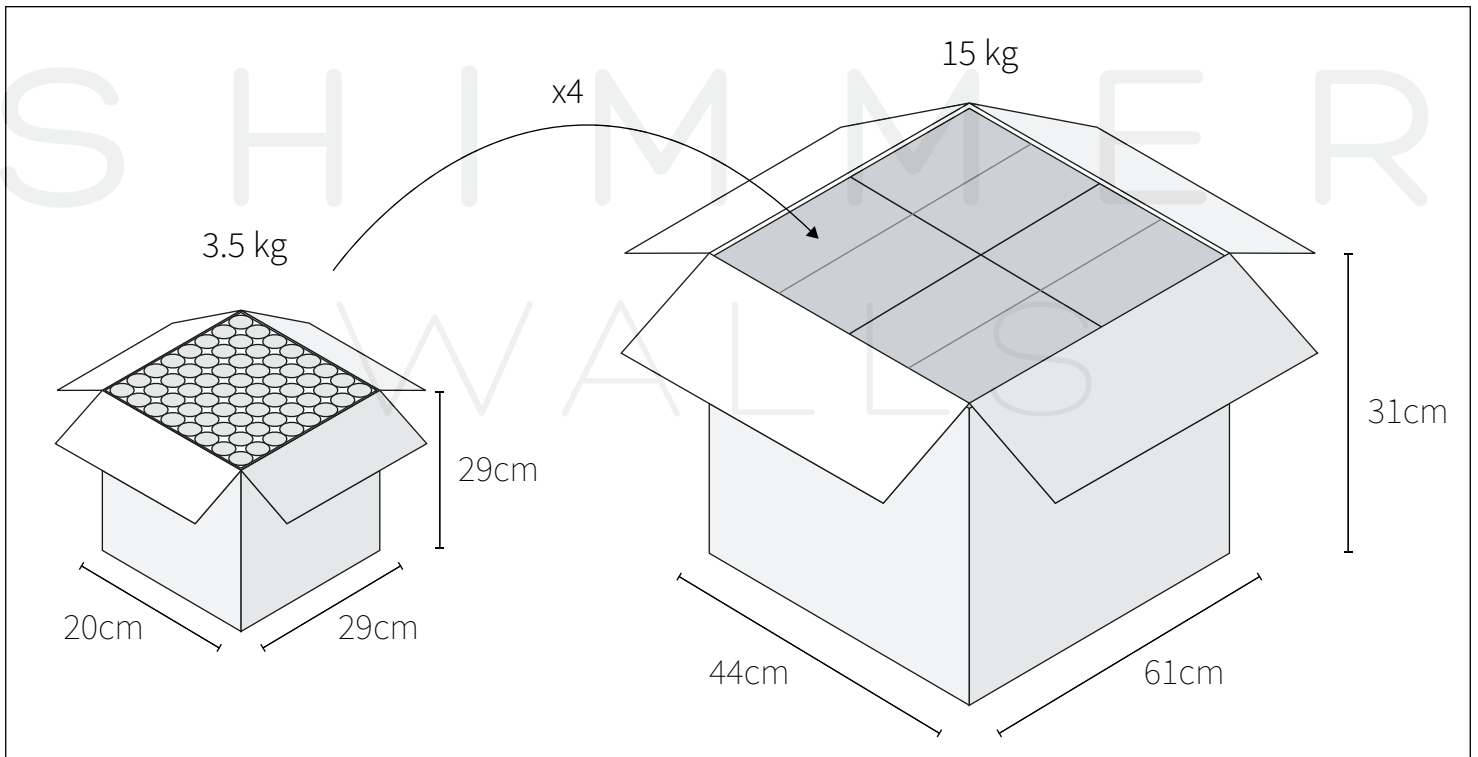
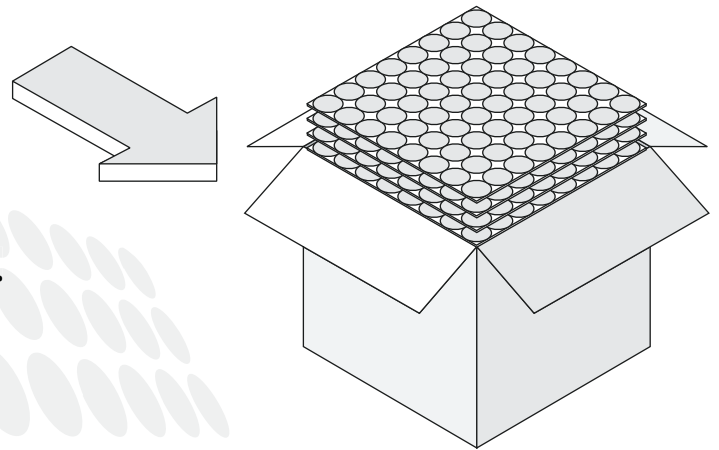


SHIMMER
WALLS

Installation Guide

1. Delivery

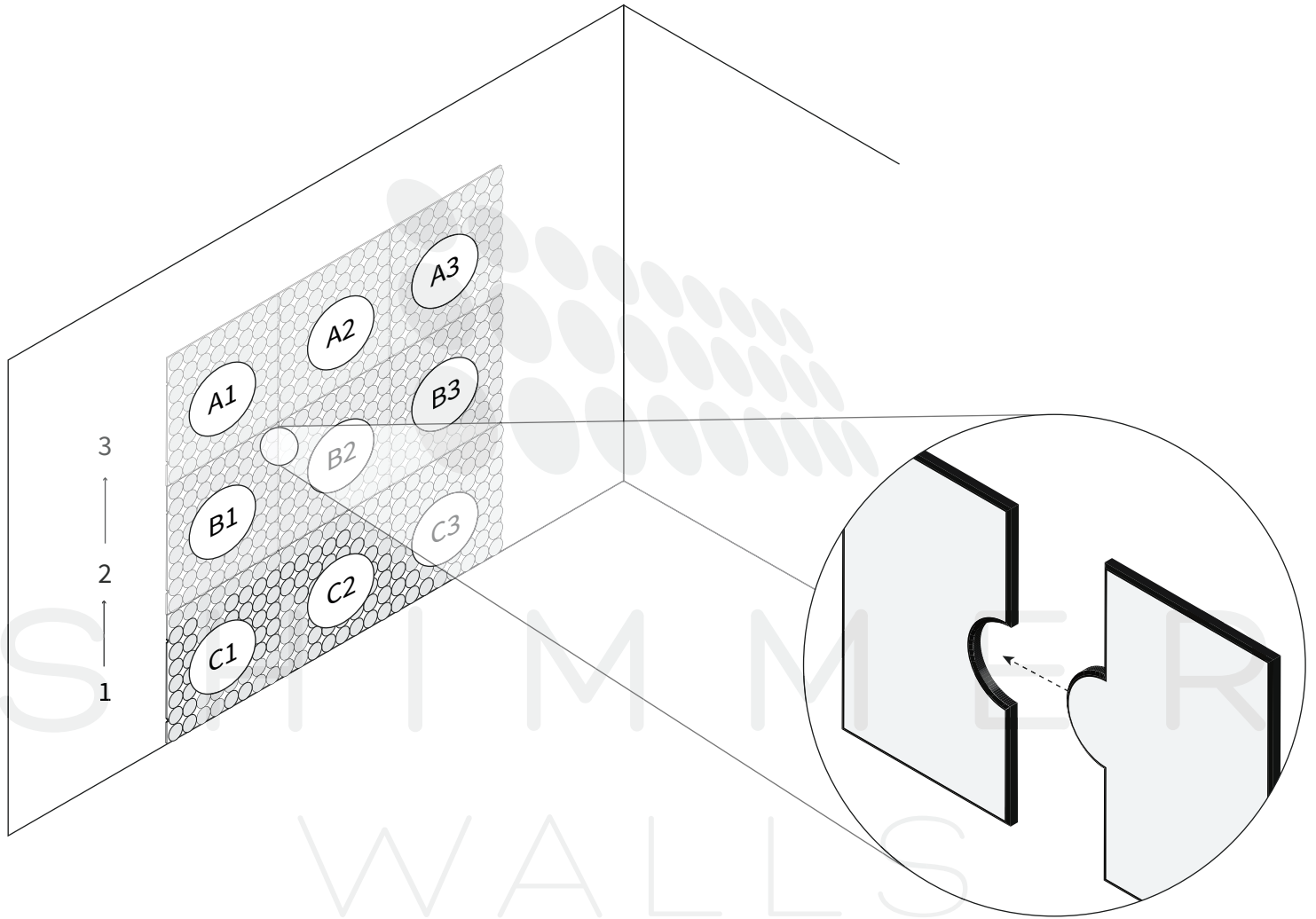
We ship your prepared boards directly to you. Clean and dry the installation area so it is free from dust.



Each standard box can hold 20 Shimmerwall boards, and each large box can hold 4 standard boxes.

2. Positioning

Install the boards starting from the bottom and working upwards. Use the Planogram PDF sent to you by your salesperson to place each board in the correct position. Use the interlocking pins on each side to align the boards perfectly.



The interlocking pins on each edge of the boards allow you to align them perfectly with ease.

We want your Shimmerwalls to look perfect for many years. We are happy to provide our clients with replacement sequins and boards at a low cost.

3. Installation

We recommend the use of transparent silicon glue in small doughnut “O” shapes in each corner and the center of the board. For external or high foot-traffic areas, use 1 screw in each corner of the board for increased stability. For short-term installs, you can use double-sided foam tape, glue dots, or magnets.

